

# CL1CXX-12 Series

Radio frequency Coil



## Features

- Variable radio frequency Coil.
- Original design by Automatic Coil
- Fully enclosed
- Tested 100%
- Built Per Mil standards □□ Leaded Solder.

## Specifications

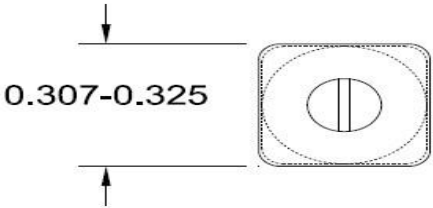
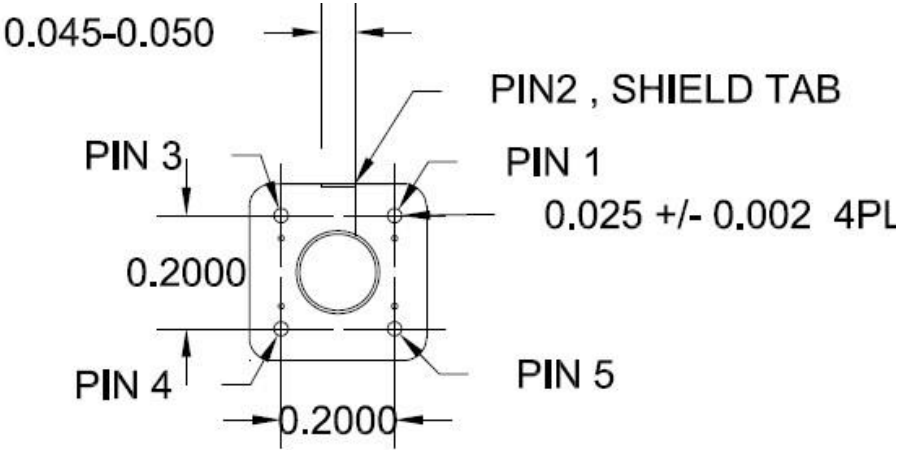
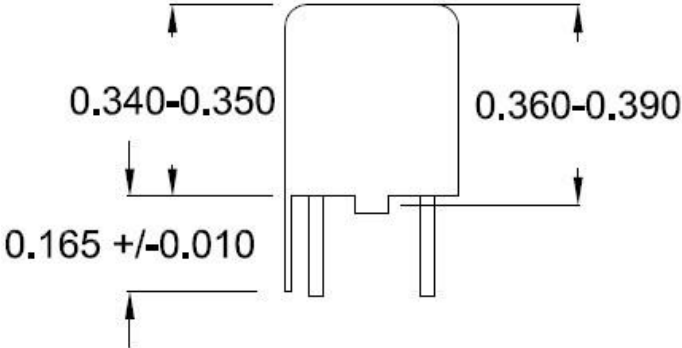
- Operating temperature  $-57^{\circ}\text{C}$  to  $105^{\circ}\text{C}$
- Packaging in tray



## Electrical Characteristics.

Part Number	NSN Number	Inductance (mH) (See Specification)	Q Factor Min	Insulation Resistance Min
CL1C01-12	5950-01-387-3860	35-42	90	10 Gohm
CL1C02-12	5950-01-387-3840	58-80	90	10 Gohm
CL1C03-12	5950-01-387-3842	90-130	90	10 Gohm
CL1C04-12	5950-01-387-3829	127-193	90	10 Gohm
CL1C05-12	5950-01-387-4890	190-310	90	10 Gohm
CL1C21-12	5950-01-387-4286	240-380	80	10 Gohm
CL1C22-12	5950-01-387-7911	300-500	60	10 Gohm
CL1C24-12	5950-01-387-7922	410-740	55	10 Gohm
CL1C25-12	5950-01-387-7925	480-860	55	10 Gohm

# Mechanical Parameters



All dimensions are in inches