

CL2Q12-12

Radio Frequency Transformer

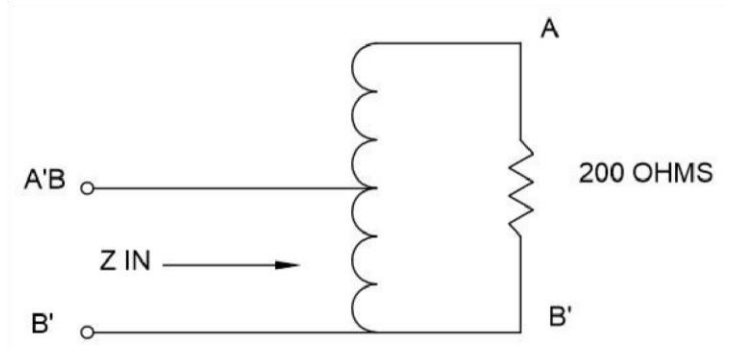


Features

- Radio Frecuency Transformer.
- Original design by Automatic Coil
- Tested 100%
- Built Per Mil standards
- Header
- Square Pins

Specifications

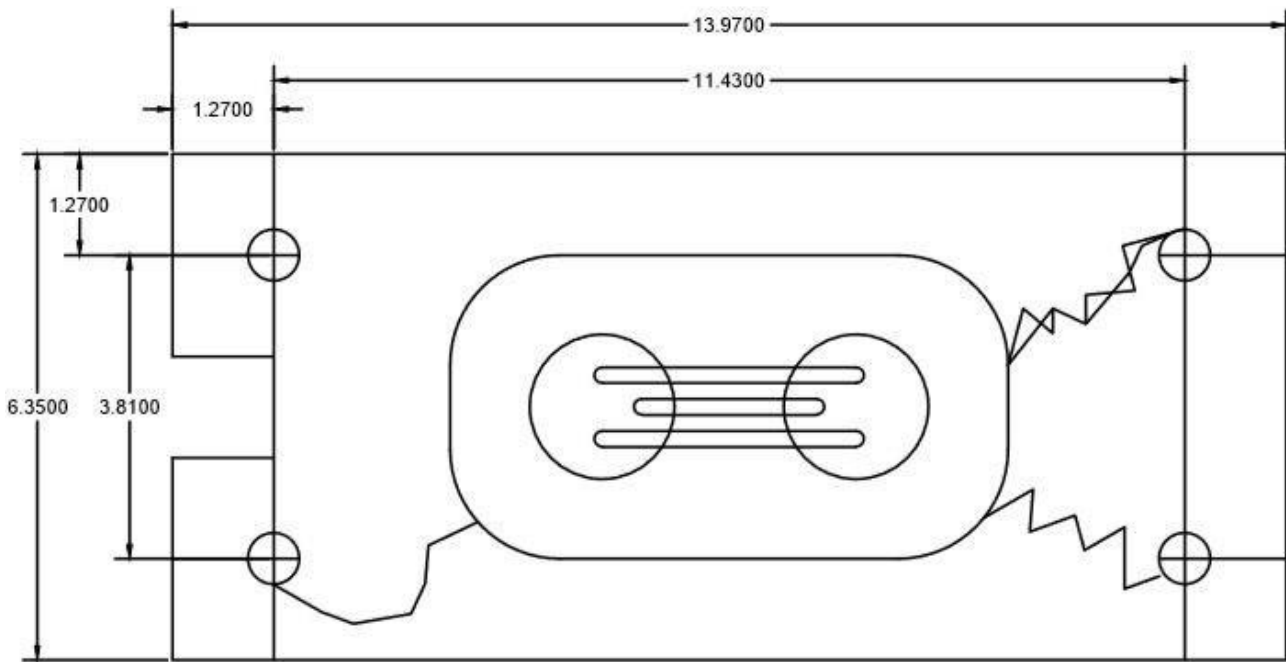
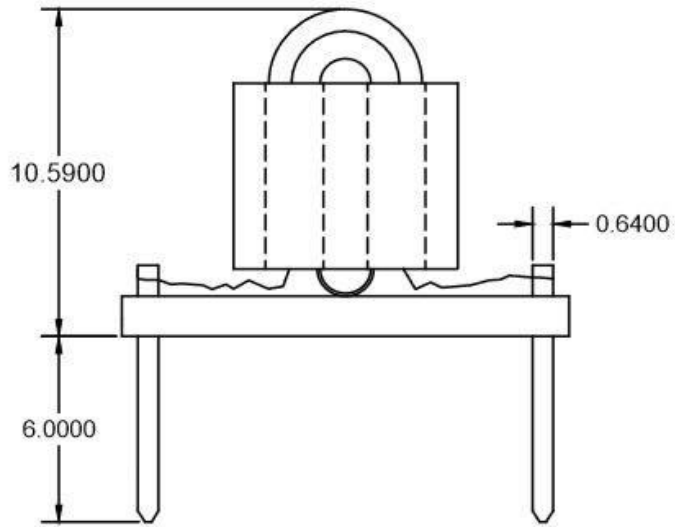
- Operating temperature -55°C to 125°C
- Packaging in tray



Electrical Characteristics.

Part Number	NSN Number	Parameter	Test Conditions	Limits		Units
				Min	Max	
CL2Q12-12	5950-01-390-3474	IMPEDANCE (Z IN)	FREQ = 30 MHz	45	55	Ohms
			FREQ = 88 MHz	45	55	Ohms

Mechanical Parameters



All dimensions are in millimeters.