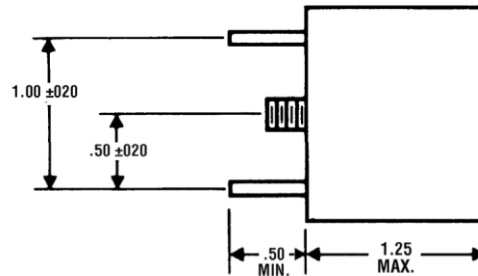
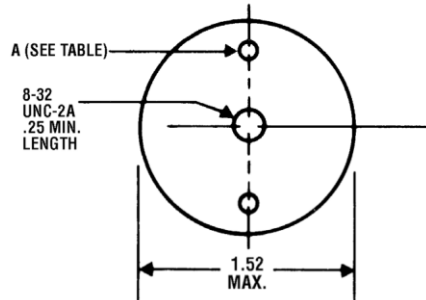




## HIGH CURRENT CHOKES

TYPE 7000 10 $\mu$ H - 10mH 10% Tolerance



### NOTES:

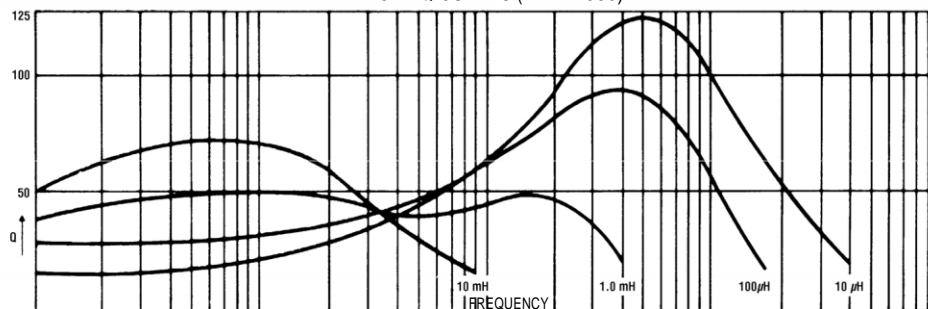
- INDUCTANCE measured on QuadTech/GenRad 1659 RLC Digibridge at 1.0 KHz.
- CURRENT RATING (Rated IDC) is based on 3.0 watts power dissipation for approximately 20°C temperature rise. Depending on the application, these units may be operated at up to twice the rated current.
- INCREMENTAL CURRENT (INCR I) is the minimum current at which the inductance will be decreased by 5% from its initial (zero-DC) value.
- DIELECTRIC WITHSTANDING VOLTAGE (winding to case mounting stud) — 500 VRMS
- OPERATING TEMPERATURE RANGE: -55° to +105°C.
- MATERIALS:
  - Core Form: Ferrite
  - Magnet Wire: Per FED SPEC J-W-001177/9
  - Leads: Bare tinned copper.
  - Mounting Stud: 18-8 stainless steel.
  - Case: Epoxy encapsulated.
- Marking – Printed with Caddell-Burns Part Number

STANDARD VALUES: (other values available on special order)

Part No.	Nominal Inductance	Max. DCR Ohms	Min. SRF MHz	Rated IDC Amps (2)	INCR I Amps (3)	A Lead Size AWG
7000-01	10 $\mu$ H	.004	9.0	27	65	10
7000-02	12	.004	7.2	27	58	10
7000-03	15	.005	5.2	24	52	10
7000-04	18	.006	4.4	22	44	11
7000-05	22	.007	3.8	21	41	11
7000-06	27	.008	3.5	19	38	12
7000-07	33	.011	2.8	17	33	13
7000-08	39	.012	2.7	16	31	13
7000-09	47	.013	2.5	15	28	13
7000-10	56	.014	2.4	14	26	13
7000-11	68	.017	2.1	13	23	13
7000-12	82	.019	2.0	13	21	13
7000-13	100	.022	1.8	12	19	13
7000-14	120	.027	1.4	11	17	14
7000-15	150	.030	1.3	10	15	14
7000-16	180	.039	1.1	8.8	14	15
7000-17	220	.054	.90	7.5	13	16
7000-18	270	.060	.85	7.1	12	16
7000-19	330	.070	.75	6.5	11	16

Part No.	Nominal Inductance	Max. DCR Ohms	Min. SRF MHz	Rated IDC Amps (2)	INCR I Amps (3)	A Lead Size AWG
7000-20	390 $\mu$ H	.090	.65	5.8	10	17
7000-21	470	.10	.62	5.5	8.8	17
7000-22	560	.11	.56	5.2	8.0	17
7000-23	680	.14	.51	4.6	7.5	18
7000-24	820	.17	.49	4.2	6.7	18
7000-25	1.0 mH	.22	.43	3.7	6.0	19
7000-26	1.2	.25	.37	3.5	5.4	19
7000-27	1.5	.29	.36	3.2	4.8	19
7000-28	1.8	.32	.33	3.1	4.4	19
7000-29	2.2	.44	.31	2.6	4.0	20
7000-30	2.7	.50	.27	2.4	3.6	20
7000-31	3.3	.69	.23	2.1	3.2	21
7000-32	3.9	.75	.21	2.0	3.0	21
7000-33	4.7	1.0	.20	1.7	2.8	22
7000-34	5.6	1.1	.18	1.6	2.6	22
7000-35	6.8	1.3	.17	1.5	2.3	22
7000-36	8.2	1.6	.14	1.4	2.1	23
7000-37	10	1.8	.13	1.3	1.9	23

TYPICAL Q CURVES (TYPE 7000)



**CADDELL-BURNS DOES NOT SELL THRU DISTRIBUTORS. ALL SALES ARE DIRECT.**